

INSTRUCTIONS FOR STORAGE, INSTALLATION AND MAINTENANCE OF THE DARKSIDEWOOD SIDING BOARDS

Product: Exterior siding board DARKSIDEWOOD

I. STORAGE OF THE PRODUCT ON THE CONSTRUCTION SITE

1. Proper storage significantly reduces the potential for product deformation, cracking, and discoloration.
2. The following conditions must be ensured for proper storage of the product:
 - 2.1. The siding boards must be placed on a level surface in such a way as to ensure adequate air circulation between the surface and the bottom row of the product.
 - 2.2. The siding boards must be assembled to form a rectangular package in such a way as to ensure sufficient air circulation between the rows of the package. This can be done by laying transverse boards/beams with a thickness of at least 15 mm. The beams must be placed at least 100 cm apart. They must be of the same thickness and placed in each row of the package (i.e. the row of boards/beams below is divided by transverse beams so that it does not touch the row stacked above).
 - 2.3. The siding boards must be stored in a place insulated from direct sunlight.
 - 2.4. The siding boards must be stored in such a way as to be protected from impact and scratches.
 - 2.5. Stacked package of the product must be protected from precipitation (e.g. with a PVC film), but in such a way as to ensure air circulation, i.e. without sealing it completely.
 - 2.6. Weights (e.g. blocks) are placed on top of the stacked timber package to prevent the top row of siding boards from moving.

II. VERTICAL INSTALLATION OF THE PRODUCT

1. The siding boards are screwed to the furring strips with stainless steel screws. The screws must be at least 50 mm long. Make sure to choose the right length so that the screws do not sink too deep and do not damage the surface of the siding board.
2. The fastening points (spacing between furring strips) are placed 500 mm apart (see Figure 1).
3. The siding board is screwed to the base with two screws, 20 - 25 mm from the edge of the board and at least 70 mm from the top or bottom.
4. The frame beams must be 22 - 25 mm thick and 50 mm wide.
5. When installing the siding boards vertically, the furring strips are hammered horizontally, their upper edge is cut at an angle of 15 degrees (see Figure 1).

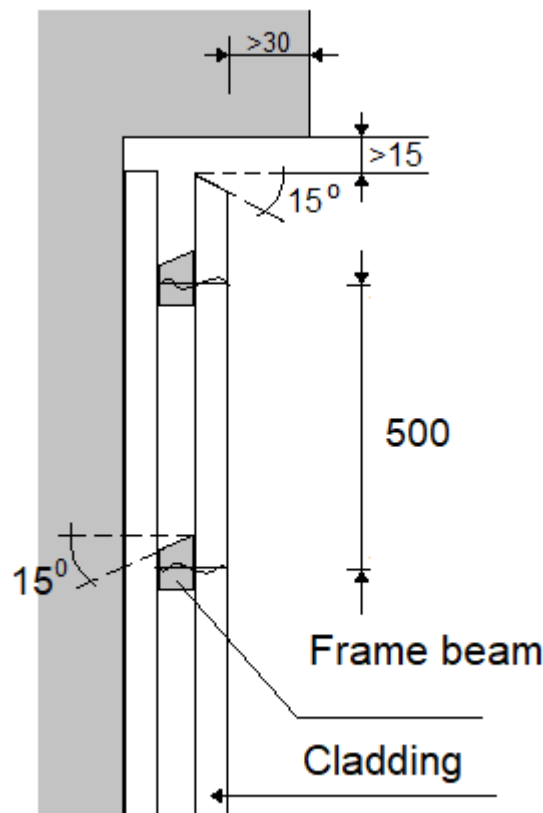


Figure 1. Vertical installation scheme. All measurements are provided in millimeters.

6. A gap of at least 15 mm shall be left between the lower part of the roof and the siding for ventilation, through which air can move both behind the siding and under the roof (see Figure 1).

7. It is recommended to avoid board joints. If joints are necessary, try to join boards in such a way that water does not enter the joint: join as firmly as possible, carefully coating the cuts with WOCA Exterior oil.
8. Cut the top and bottom of the board so that the raindrops can roll down (cut at an angle of at least 15 degrees). Carefully coat the cuts with WOCA Exterior oil.
9. The height of the plinth must be such that the lower edge of the siding is at least 300 mm above the ground.

III. HORIZONTAL INSTALLATION OF THE PRODUCT

1. The frame beams are hammered vertically and should be 22 - 25 mm thick and 50 mm wide.
2. The fastening points (spacing between furring strips) are placed 500 mm apart (see Figure 2).
3. The siding boards are screwed to the furring strips with stainless steel screws. The screws must be at least 50 mm long. Make sure to choose the right length so that the screws do not sink too deep and do not damage the surface of the siding board.
4. The siding is screwed to the base with two screws, 20 - 25 mm from the edge of the board and at least 70 mm from its ends.

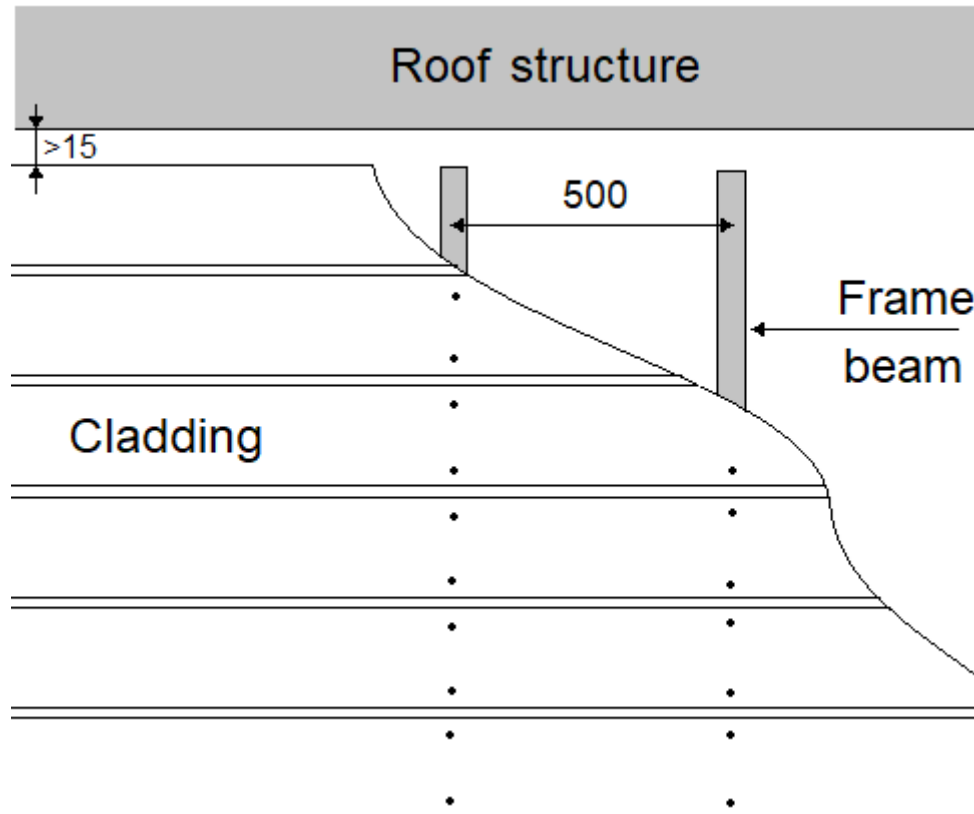


Figure 2. Horizontal installation scheme. All measurements are provided in millimeters.

5. A gap of at least 15 mm shall be left between the lower part of the roof and the siding for ventilation, through which air can move both behind the siding and under the roof (see Figure 2).
6. It is recommended to avoid board joints. If joints are necessary, try to join boards in such a way that water does not enter the joint: join as firmly as possible, carefully coating the cuts with WOCA Exterior oil.
7. The height of the plinth must be such that the lower edge of the siding is at least 300 mm above the ground.

IV. MAINTENANCE OF THE PRODUCT

1. Try to avoid impact and scratches on the siding boards surface. Affected areas must be immediately covered with WOCA Exterior oil.
2. For vertical wood surfaces (fences, facades) it is recommended to renew the oil layer every 4-5 years.
3. Due to the more frequent use of the surface, for horizontal wood surfaces (terraces) it is recommended to renew the oil layer every 2 years.

If the instructions of storage, installation and maintenance of the product are not followed, DARKSIDWOOD does not accept any claims regarding the quality of the wood over time.